

Media: air
 Inlet Pressure: 10 Bar max
 Pressure range: 0.5 to 10 Bar
 Media temp: 0°C to +60°C
 Ambient temp: 0°C to +60°C
 Mounting: Upright +/- 5°



UMF Air Filter

1/4 – 1

Coalescing & Activated Charcoal

Manual or Semi Auto Drain

0.5 - 10 Bar

TYPE UMF02-08



PRESSURE

Ø Port BSP	Max Flow Air L/min @ 6 Bar (ANR)	Pressure (Bar)		Filter Element	Part Number
		Min	Max		
1/4	2050	0.5	10	Coalescing	UMF02B
				Activated Carbon	UMF02KB
3/8	2100	0.5	10	Coalescing	UMF03B
				Activated Carbon	UMF03KB
1/2	2150	0.5	10	Coalescing	UMF04B
				Activated Carbon	UMF04KB
3/4	3800	0.5	10	Coalescing	UMF06B
				Activated Carbon	UMF06KB
1	3850	0.5	10	Coalescing	UMF08B
				Activated Carbon	UMF08KB

OPTIONS

0.01 Micron coalescing filter element or Activated charcoal element
 Mounting bracket
 0.1 Micron coalescing filter element or Activated charcoal element (H2)
 Manual drain (H)
 Acid Alkali resistant bowl 1/4 3/8 or 1/2 (A)
 Acid Alkali resistant bowl 3/4 or 1 (A)
 Aluminium Bowl (AL) 1/4 3/8 or 1/2 Only

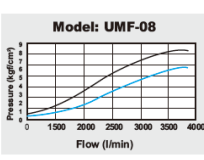
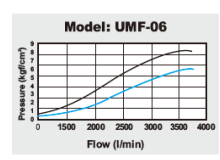
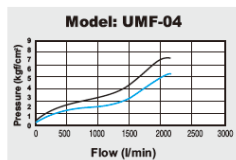
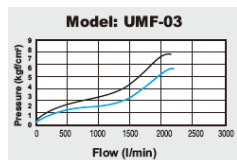
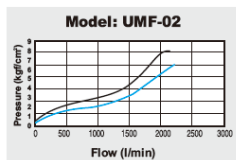
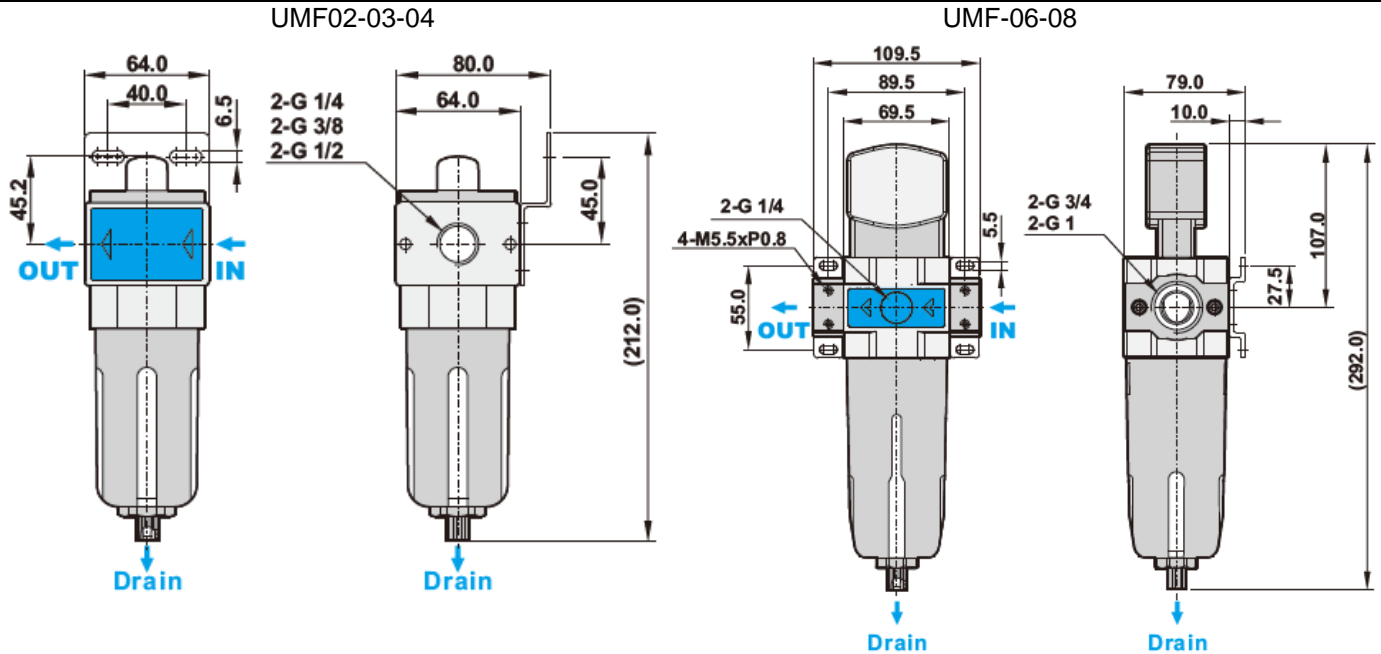
CONSTRUCTION

Filter bowl 02-03-04(65cc), 06-08 (115cc)
 Body die cast aluminium, Bowls Polycarbonate optional acid/alkali resistant or aluminium
 Test Pressure: 15 Bar

Repair Kit

Coalescing filter element 1/4 3/8 & 1/2 0.01 Micron (ZH04H) 0.1 Micron (ZH04H2), 3/4 & 1" 0.01 Micron (ZH08H), 0.1 Micron (ZH08H2)
 Activated charcoal filter element 1/4 3/8 & 1/2 (ZH04CHA), 3/4 & 1" (ZH08CHA)

OVERALL DIMENSIONS



Note:
 X axis: Flow (l/min)
 Y axis: Pressure (kgf/cm²)
 Blue line (P0) = Outlet pressure
 Black line (P1) = Inlet pressure
 P1-P0=Pressure range