

Media: air
 Pressure range: 1.5 to 8 Bar max
 Media temperature: +50°C max
 Ambient temp: -10°C to +50°C max
 Mounting: any position
 Weight (including coil): 430, 525, 715g

5/2 & 5/3 Aluminium

3/8 30mm Width

5/2 S/RETURN 5/2 & 5/3 D/ACTING

1.5 – 10 Bar

TYPE PU52003

5/2 Way Spring Return PU52003S Series



Ø Port BSP	Ø Orifice (mm ²)	Pressure Rating (Bar) ΔP		Max Working	Part Number
		Min	Max		
3/8	35	1.5	8	10	PU52003S + voltage



5/2 Way Double Acting PU52003D Series



Ø Port BSP	Ø Orifice (mm ²)	Pressure Rating (Bar) ΔP		Max Working	Part Number
		Min	Max		
3/8	35	1.5	8	10	PU52003D + voltage




5/3 Way Double Acting PU53003T Series



Ø Port BSP	Ø Orifice (mm ²)	Pressure Rating (Bar) ΔP		Max Working	Part Number
		Min	Max		
3/8	32	2	8	10	PU53003D + voltage



OPTIONS

IP65 Coil & Connector PG9 – DIN 43650 A & manual over ride (Optional flying lead wire coil &)
 NPT or Rc Thread
 ATEX 22001EX Coil: ATEX EExmII T4 II 2G & 2D IP65 T130°C 
 PU530X Exhaust centre or PU530Y Pressure centre

ELECTRICAL DATA

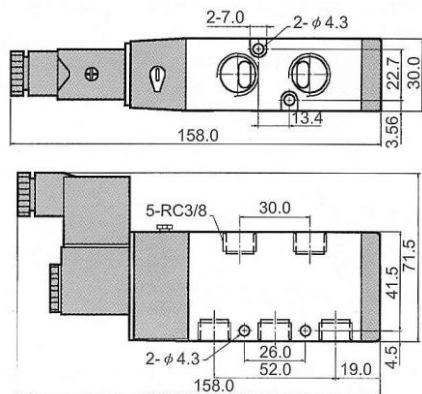
Voltage (-10% + 15%) Continuous duty 100%	Coil	Power		Insulation class	Enclosure	Electrical connections
		Inrush	Holding			
~ 24 - 48 - 110 - 230 (50 or 60 Hz)	22001	7.6 VA	6 VA	F 155°C	IP 65 with connector	3 spades DIN 43650 DIN 40050 VDE 0110
= 12 - 24 - 110 (DC)		4.5 Watts				

CONSTRUCTION

Body: Anodised Aluminium
 Tube and internal parts: Stainless steel
 Seals and gaskets: NBR
 Moulded coil: Resin

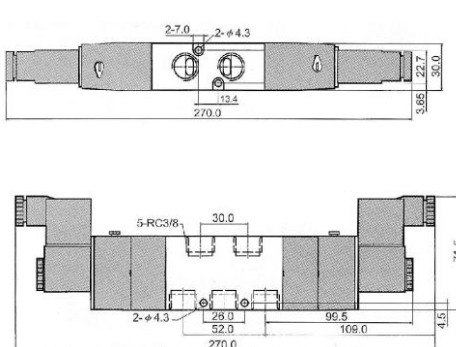
OVERALL DIMENSIONS

PU52003



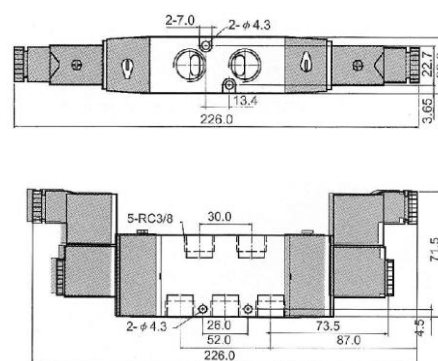
430g

PU52003D



525g

PU53003D



715g