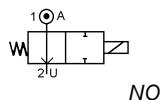


Media: air – water – gas – light oil
 Pressure range: 0 to 16 Bar max
 Media temperature: -10°C +130°C max
 Ambient temperature: -20°C to +50°C
 Media viscosity: 50 centistokes max
 Mounting: coil must be upright



2/2 Red Brass

3/8 – 2

NORMALLY OPEN

2 WAY DIRECT ACTING

0 – 16 Bar

TYPE NO850B



PRESSURE

Ø Port BSP	Ø Orifice (mm)	Flow Kv Ltr/ min	Coil Size	Pressure Rating (bar) ΔP		Seals	Max Media Temp °C	Part Number
				Min	Max			
1/2	15	75	1	0	16	NBR	90	NO850B/15/M1G12N + voltage NO850B/15/M1G12V + voltage NO850B/15/M1G12E + voltage
						FKM	130	
						EPDM	130	
3/4	20	143	1	0	12	NBR	90	NO850B/20/M1G34N + voltage NO850B/20/M1G34V + voltage NO850B/20/M1G34E + voltage
						FKM	130	
						EPDM	130	
1	25	216	1	0	8	NBR	90	NO850B/25/M1G1N + voltage NO850B/25/M1G1V + voltage NO850B/25/M1G1E + voltage
						FKM	130	
						EPDM	130	
1 1/4	32	350	2	0	16	NBR	90	NO850B/32/M1G54N + voltage NO850B/32/M1G54V + voltage NO850B/32/M1G54E + voltage
						FKM	130	
						EPDM	130	
1 1/2	40	550	2	0	16	NBR	90	NO850B/40/M1G64N + voltage NO850B/40/M1G64V + voltage NO850B/40/M1G64E + voltage
						FKM	130	
						EPDM	130	
2	50	816	2	0	15	NBR	90	NO850B/50/M1G2N + voltage NO850B/50/M1G2V + voltage NO850B/50/M1G2E + voltage
						FKM	130	
						EPDM	130	

OPTIONS

ATEX Coil: EExemII T4 II ATEX 2G & 2D IP65 T 130°C (Coil size 1) (ΔP reduced by 20%)

ATEX Coil: EExemII T4 II ATEX 2G & 2D IP65 T 130°C (Coil size 2) (ΔP reduced by 20%)

NPT Thread

PTFE seals

Open or Closed E1 and Open + Closed Electrical Position Switches E2

Open + Closed Electrical Position Switches EX2 (Atex)

Other options and larger sizes available upon request

ELECTRICAL DATA

Voltage (-10% + 10%) Continuous duty 100%		Coil Size	Power Consumption	Insulation class	Enclosure	Electrical connections
=	24 (DC) 24 – 110 – 230v (rectified)	1	30 Watts	F 155°C	IP 65 with connector	3 spades DIN 43650 DIN 40050 VDE 0110
		2	60 Watts			

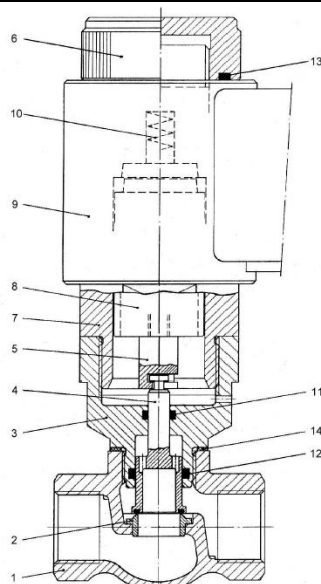
CONSTRUCTION

Body: Brass
 Tube and internal parts: Stainless steel
 Seals and gaskets: NBR (Optional EPDM & FKM)
 Moulded coil: Resin

REPAIR KIT

Coil	Coil size (1 or 2) + voltage
Seal Kit	KIT + valve part number

OVERALL DIMENSIONS



- 1 valve body
- 2 nozzle
- 3 flange
- 4 piston complete
- 5 clutch piece
- 6 knurling nut
- 7 coil sliding tube
- 8 plunger
- 9 coil complete
- 10 spring
- 11 O-ring
- 12 O-ring
- 13 O-ring
- 14 flat seal

Port	1/2	3/4	1	1 1/4	1 1/2	2
B	70	70	70	75	75	75
H	164	156	165	201	220	224
H1	19	23	28	32	36	43.5
H2	77	77	77	9.5	89.5	89.5
L	60	70	80	95	105	130
M	60	60	60	70	70	70
R	19	23	28	32	36	44
T	13.2	14.5	16.8	19.1	19.1	23.4
V	45	45	45	55	55	55
SW	27	32	41	50	55	70

