

Media: Water, Air, Oil, Vacuum, Gas, Liquid
 Pressure range: 10 Bar
 Media temperature: -5°C to +120°C
 Ambient temperature: 0°C to 50°C
 Mounting: Upright or Vertical +/-15°
 Failsafe Closing time : 2.5 Seconds
 Cycle life: 60000+ cycles

Actuated Ball Valve

1/2" – 1 1/2" BSP

3 Way L&T Ball Valve

Failsafe Open & Closed

TYPE: MK3-3



PRESSURE

Valve Type	Ø Port BSP	Ø Orifice (mm)	Pressure (Bar)		Part Number
			Min	Max	
3 Way L Ported Option N/Closed or N/Open	1/2	15	0	10	MK3-3-15L + option + Voltage
	3/4	20	0	10	MK3-3-20L + option + Voltage
	1	25.4	0	10	MK3-3-25L + option + Voltage
	1 1/2	38	0	10	MK3-3-40L + option + Voltage
3 Way T Ported Option 1,2,3 or 4	1/2	15	0	10	MK3-3-15T + option + Voltage
	3/4	20	0	10	MK3-3-20T + option + Voltage
	1	25.4	0	10	MK3-3-25T + option + Voltage
	1 1/2	38	0	10	MK3-3-40T + option + Voltage

OPTIONS

IP65 Insulation
 L or T port
 Larger sizes, higher pressure, flanged and different actuator combinations available upon request.

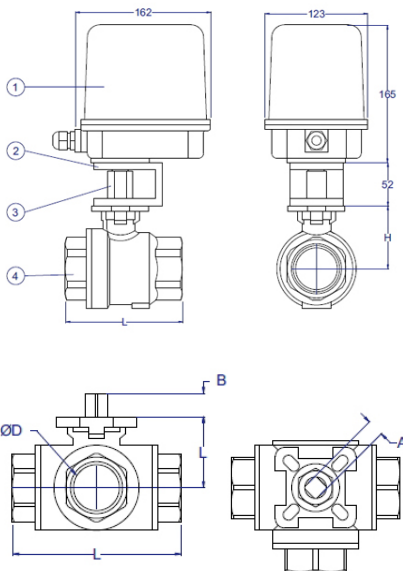
ELECTRICAL DATA

Voltage (-10% + 15%) Continuous duty 100%	Actuator	Power	Enclosure	Electrical connections
~ 100-115vAC, 200-240vAC (50 or 60 Hz)	MK3	80VA	IP 65	2 Lead Wires

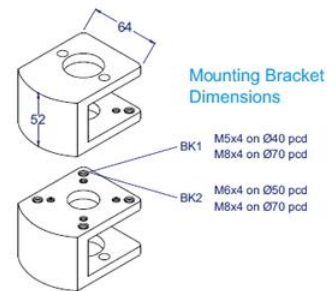
CONSTRUCTION

Body : Stainless Steel
 Tube and internal parts : Stainless Steel
 Seals and gaskets : PTFE
 Actuator housing: Aluminium alloy

OVERALL DIMENSIONS

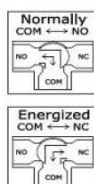


No	Description	Material
1	Motor actuator	Assembly
2	Mounting Bracket	FC20
3	Socket	50BV30 Carbon steel
4	Ball Valve	CF8M Stainless steel



3 Way Full Port Ball Valve Dimensions							
Size	øD (mm)	L (mm)	H (mm)	A (mm)	B (mm)	ISO5211	Kg
1/2	15	75	38	9	10	F03-04	0.9
3/4	20	86	41	9	10	F03-04	1.1
1	25.4	110	47	11	14	F04-05	1.7
1 1/2	38	137	68	14	19.5	F05-07	3.4
2	50	158	80	14	19.5	F07	6.8

L TYPE



T TYPE

