

# Molded connector, industry form

## Overmolding

Color *black*  
 Material *PUR*  
 Imprint *without*

## Terminal block

Material *PA6 GF30*  
 Poles *2+E*  
 Ground position *12 h*  
 Contact distance *11 mm*

## Circuit

LED *without*  
 Protecting element *without*  
 Rectifier *without*  
 Nominal voltage *max. 250 V*  
 Current type *AC/DC*  
 Current *max. 10 A*

## Cable

Type *H05VVF, black*  
 Color of internal conductor *green/yellow, brown, blue*  
 Cores *3*  
 Conductor cross-section *0,75 mm<sup>2</sup>*  
 Cable length (L) *2 m*  
 Stripping *30 mm*  
 Loose end *with sleeve*  
 Rolled diameter *0,2 m*

## Contacts

Material *CuZn, zincd*  
 Forward resistances *< 4 mOhm*

## Gasket

Form *Integrated*

## Central fixing screw

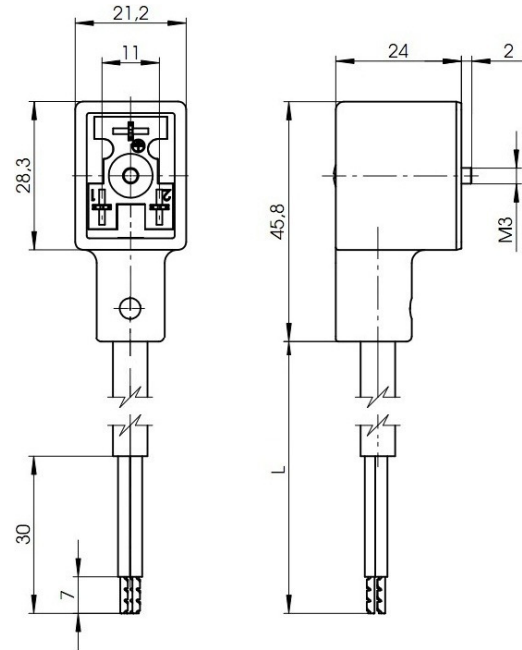
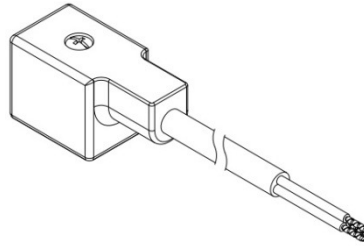
Material *Steel 4.8, zinc plated*  
 Size *M3 x 24*  
 Tightening torque *0,4 ± 0,1 Nm*

## Packaging

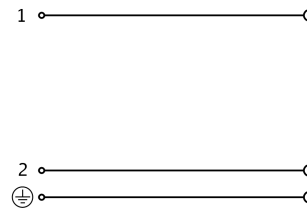
Single package, in bag

## General properties

Ambient temperature *- 25 °C...+ 90 °C*  
 RoHS *yes*  
 Protection to DIN EN 60529 *IP 67*  
 (plugged and screwed condition)



## Circuit diagram



				Zulässige Abweichung für Maße ohne Toleranzangabe Unless otherwise specified tolerances DIN ISO 2768-v	Format/Size: A4	Maßstab/Scale: 1:1	Gewicht/Weight: 141,5g
				Schutzvermerk beachten Observe protection note ISO 16016	Benennung: Title:  <b>Molded connector I oS</b>		
1	25630	2014.09.17	PKR		Ident. - Nr.:	Freigabe-Nr.:	Blatt:
Ind Rev	Änderung-Nr. Change no.	Datum Date	Name By		612-202-0162	24810	1/1
Geprüft: 2014.10.16 Checked: ZTA Erstellt: 2013.04.30 Created: PKR					Ersatz für / Replacement for:		