

Media: air – water – oil – steam- vacuum
 Pressure range : 0 to 16 Bar Max
 Media temperature : -10°C to +200°C max
 Ambient temperature: +5°C to +60°C
 Media viscosity : 600 centistokes max
 Mounting : any position
 Pilot Media : air – water – gas
 Pilot Pressure : 4 to 6 Bar
 Pilot Inlet : 1/8 BSP

Piston Stainless

1/2 to 1 BSP
ANGLE SEAT PISTON VALVE
3 WAY AIR DIRECT ACTING
 0 – 16 Bar
Type ASPV3SS



PRESSURE

Ø Port BSP	Function	Ø Orifice (mm)	Flow Kv Ltr/Min	Pressure (Bar)		Actuator (mm)	Part Number
				Min	Max		
1/2	Double Acting	20	167	0	16	50	ASPV315SS + option
3/4	Double Acting	20	167	0	16	50	ASPV320SS + option
1	Double Acting	25	253	0	16	50	ASPV325SS + option

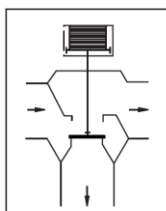
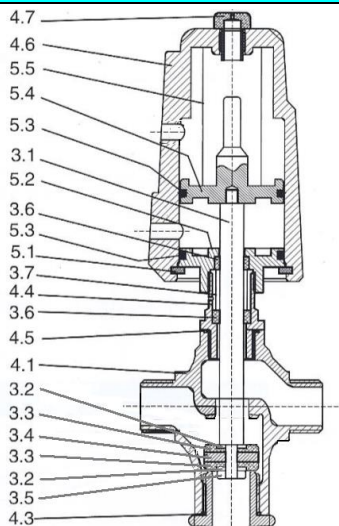
OPTIONS

Visual Position Indicator
 NPT Thread
 Aluminium Alloy Actuator
 Open Position Proximity Switch (Black synthetic actuator head)
 Modulating, Flanged, Manifold mount and other custom made options available upon request

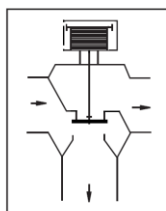
CONSTRUCTION

Body : AISI304. Tube, Piston and Internal Parts : AISI316 stainless steel (CF8M)
 Actuator : AISI304 stainless steel (Rotation 360°)
 Seals and gaskets : Valve - PTFE Actuator - FKM

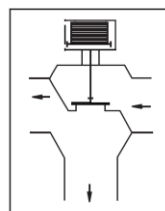
OVERALL DIMENSIONS



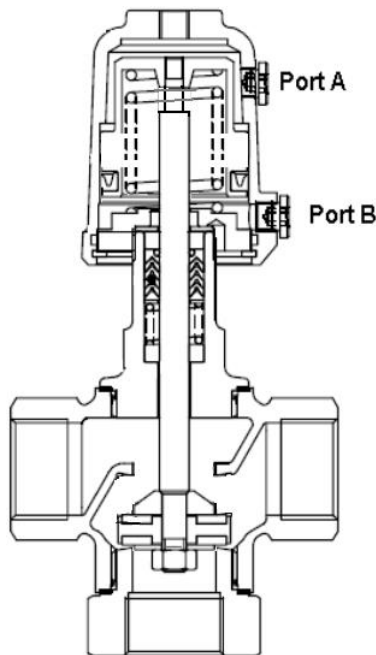
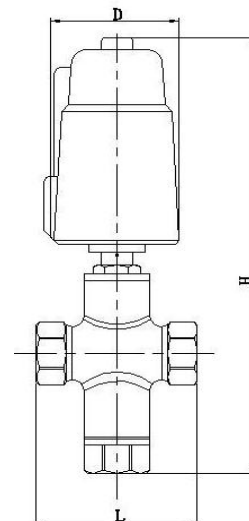
Option 1



Option 2



Option 3



Parts List		
3.1 Stem	4.1 Valve Body	5. Back up ring
3.2 Gasket	4.2 Screw connector	5.2 Cylinder head
3.3 PTFE Seal	4.3 Seal ring	5.3 O Ring
3.4 Disc	4.4 Screw connector	5.4 Piston
3.5 Lock Nut	4.5 seal ring	5.5 Spring
3.6 Spindle Seal	4.6 Cylinder	
3.7 Spring	4.7 Position Window	

Port BSP	L	H	D	DN
1/2	74	230	60	1/2
3/4	74	230	60	3/4
1	94	250	60	1

