

Media: air – water – gas – light oil
 Pressure range: 0 to 16 bar max
 Media temperature: -10°C +130°C max
 Ambient temperature: -20° to +50°C
 Media viscosity: 50 centistokes max
 Mounting: coil must be upright

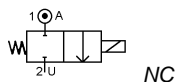
2/2 Red Brass + Stainless

1/2 - 2

**NORMALLY CLOSED
 2 WAY DIRECT ACTING**

0 – 16 Bar

TYPE 850A



PRESSURE

Ø Port BSP	Ø Orifice (mm)	Flow Kv Ltr/Min	Pressure Rating (bar) ΔP		Seals	Part Number
			Min	Max		
1/2	15	75	0	16	NBR +90°C FKM +130°C EPDM +130°C	850A/15/M1G12 + seal + voltage
3/4	20	143	0	12		850A/20/M1G34 + seal + voltage
1	25	216	0	8		850A/25/M1G1+ seal + voltage
1 1/4	32	350	0	16		850A/32/M1G54+ seal + voltage
1 1/2	40	550	0	16		850A/40/M1G64+ seal + voltage
2	50	816	0	15		850A/50/M1G2+ seal + voltage
1/2	15	75	0	16		850A/15V2G12 + seal + voltage
3/4	20	143	0	12		850A/20V2G12 + seal + voltage
1	25	216	0	8		850A/25V2G12 + seal + voltage
1 1/4	32	350	0	25		850A/32V2G12 + seal + voltage

OPTIONS

ATEX Coil: II 2G Ex m II T4 & II 3D IP65 T130°C (ΔP reduced by 20%)
 NPT Thread
 PTFE seals
 E1O Open or E1C Closed Electrical Position Switch or E2 Open + Closed Electrical Position Switches
 Other options: DN65-DN300, Special voltage – Vacuum – oil & grease free – mounting brackets

ELECTRICAL DATA

Voltage (-10% + 10%) Continuous duty 100%	Coil	Power Consumption	Insulation class	Enclosure	Electrical connections
= 24 (DC) 24 – 110 – 230v 50/60Hz (rectified)	850	30 Watts	F 155°C	IP 65 with connector	3 spades DIN 43650 DIN 40050 VDE 0110

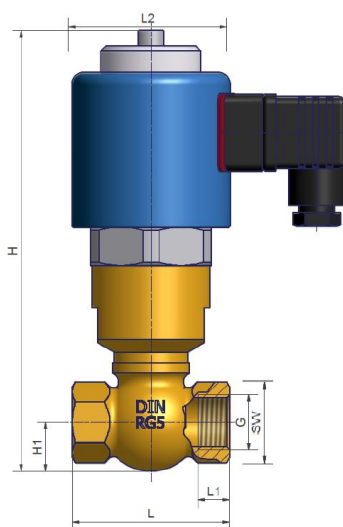
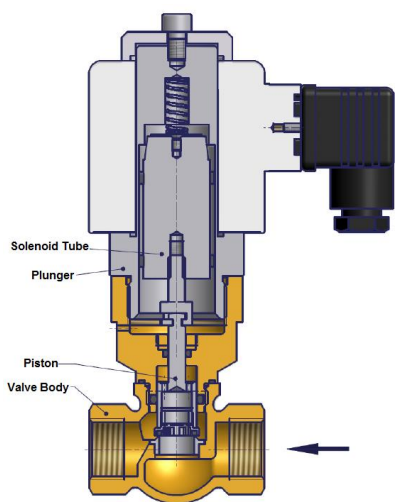
CONSTRUCTION

Body: Red Brass or AISI303 1.4305 stainless steel
 Tube and internal parts: Stainless steel
 Seals and gaskets: NBR, EPDM or FKM (Option PTFE)
 Moulded coil: Resin

REPAIR KIT

Coil	Coil850 + voltage
Armature	SP + valve part number + ARMATURE

OVERALL DIMENSIONS



DN	G	SW	H	H1	L	L1	L2
15	1/2	27	169	19	60	13	61
20	3/4	32	178	23	70	14.5	61
25	1	41	191	30	80	16.5	61
32	1 1/4	50	228	33	95	19	71
40	1 1/2	55	241	37	105	19	71
50	2	70	263	44	130	23	71

